

## FW1178-PE-B / Compact Vandal PTZ Network

**FW1178-PE-B** is a stand-alone **Compact Vandal PAN/TILT/ZOOM network camera** which has built-in web server and real time operation system. With PTZ feature, you can remotely move camera to any direction or zoom in/out the object from anywhere through standard web browser. It delivers real time live videos at a rate up to 30fps over the TCP/IP network.

Fast PAN/TILT and flexible 360 degree pan and 180 degree tilt, 100x zoom (10X Optical, 10X Digital zoom) and up to 250 presets function enable you to easily focus camera to the target location and zoom up the object with simple mouse click.

FW1178-PE-B delivers High quality Video at 30 fps@D1 in progressive mode. Traditionally, the analog video signal from the analog camera causes a "tearing" effect due to the fact even and odd fields are slightly displaced with time interval. Contrary to the conventional analog cameras, FW-1178-PE has progressive scan CCD, and makes it possible to monitor vivid and crystal clear image.

Day & Night camera function, IR Sensitivity, for clear image view under back light situation to view object under low light condition are specific of the camera performance. Built-in motion detection, up to 15.5M pre/post alarm buffer, RS-232/RS-485 interface for serial input device, X10 device and advanced alarm notification interface for e-mail, FTP and third party program are some of key features.



### Key Features

#### Superb Zoom and High speed Pan/Tilt with 250 presets

100x zoom (10x auto-focus optical / 10x digital)  
Pan/Tilt angle 360° (endless) / 180° (Auto flip)  
Max speed: Pan-380°/sec, Tilt-180°/sec at Preset mode

#### H.264 / MJPEG, Dual Stream IP Camera

H.264 / MJPEG Dual encoding & transmission  
2-way audio communication

#### Dual Streaming & High Performance

Simultaneous 'dual streaming mode' for both MJPEG & H.264 in different resolutions  
Max. 30 live view @D1  
Low latency transmission

#### The best possible Video Quality

Vivid live video monitoring  
No tearing effect on a moving area

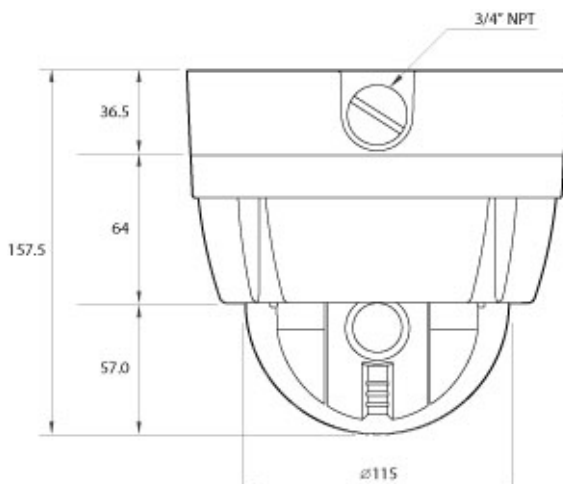
#### Progressive Frame Mode

Provide D1 resolution image without distortion

#### Vandal & weather proof

Weather proof (IP66) outdoor housing and anti-vandal PC(polycarbonate) dome cover that can withstand high impact with heater & blower for internal, external or any tough environment.

### Dimension



# Technical Specifications

**Flex WATCH®**

# 1178-PE-B Network Dome Camera

<b>Video Encoding</b>	MJPEG / H.264 (simultaneous dual stream)	<b>Software (FW-Manager 3.xx)</b>	Supports 16, 25, 36, 64, 128, 256ch ( 9ch freeware available) Full-featured PC NVR with matrix functionality ( Minimum PC requirement – XP / Pentium IV 1.6GHz or above / 256MByte RAM or above / 64MByte video memory or above )
<b>Video channels</b>	1ch Video-output.	<b>System Integration Features</b>	[Protocol] HTTP, RTP/RTSP, Multicast, TCP/IP, ARP, ICMP, Telnet, Ftp, PPPoE, SMTP, DHCP, NTP, uPNP, and etc. [SDK] Open HTTP API / ActiveX for live-cast with audio & PTZ [Service] Image upload service / notification service
<b>Compression</b>	H.264 & MJPEG : 6 levels (low compression / highest / high / normal / low / lowest)	<b>Installation and maintenance</b>	Configuration: installation wizard, HTTP, telnet and console. Upgrade firmware: HTTP, telnet & ftp (Firmware is available at <a href="http://www.flexwatch.com">www.flexwatch.com</a> )
<b>Resolution</b>	D1 - 720x480 (NTSC) / 720x576 (PAL) 4CIF - 704x480 (NTSC) / 704x576 (PAL) CIF - 352x240 (NTSC) / 352x288 (PAL) QCIF – 176x112 (NTSC) / 176x144 (PAL)	<b>Misc.</b>	Transmit serial input data with video Different time zones are supported Date and time can be synchronized with an external NTP server
<b>Live Casting</b>	Up to 30/25 fps@ D1 when simplex	<b>System hardware</b>	32bit RISC CPU / Embedded Linux / 128MByte SDRAM / 8MByte Flash AC 24V/1.0A, 32~122F(0~50C), 20~80% RH
<b>Network through-put control</b>	Frame rate control / Bandwidth control / CBR	<b>Approvals</b>	MIC,FCC, CE, RoHS, IP66
<b>Audio Encoding</b>	8 bit PCM (G.711-u-low), Sampling rates 8KHz, Mono Audio	<b>Accessories</b>	CD with installation wizard / User's manual / Quick installation manual / Transformer DC 12V(1.5A)[AC100~240V, 50/60Hz] / Power cord / LAN cable / Mounting brackets / Connector kit
<b>Audio channels</b>	1ch Audio input / 1ch Audio	<b>External Interface</b>	10/100 Base T Ethernet(auto-sensing) 1 opto-coupled inputs or 1 digital inputs (NC/NO selectable) 1 relay outputs 1 audio input / 1 audio output Reset button for factory default 2 serial port (COM: RS-232, AUX: Built-in PTZ)
<b>PTZ support</b>	Max Speed: Pan 380/sec, Tilt 180/sec@preset mode Rotation Angle: Pan 360° (endless), Tilt:180 (Auto flip) Optical zoom x10, Digital zoom x10 250 Preset Positions, Swing, Group, 4 privacy zone.	<b>Image sensor</b>	1/4" IT 410K Super HAD CCD Resolution: 500 TV Lines S/N ratio: 50dB or more(AGC OFF) Electronic shutter speed: 1/60 – 1/120,000 sec (NTSC) 1/50 – 1/120,000 sec(PAL) White Balance : Auto / Manual(Red & Blue Gain Adjustable)
<b>UART support</b>	Console, By-pass command to control UART device X10 device command to control device over power line, Modem Support ( ISDN, PSTN and GSM )	<b>Lens</b>	IRIS control: Auto & Manual F1.8(W)~2.8(T) , f=3.8~38mm Angle of view: 51.2 (Wide) ~ 5.58 (Tele)
<b>Alarm Management</b>	[ Trigger] Video loss / Video recovered / Motion detection (144 area) / 1 alarm inputs / Boot finished / Serial input / Schedule / Trigger combination is possible. [ Alarm] Image holding service (Max 5.6MByte pre-post alarm buffer) Image upload service through E-mail / FTP (support pre & post) Notification service through TCP / UDP / HTTP / 1 alarm outputs	<b>Image Setting</b>	AGC : Low/ High/ Off Day & Night : Auto / Day / Night (IR Cut Filter Change) DNR : Low / Middle / High / Off
<b>Dynamic IP support</b>	Dynamic IP service using <a href="http://www.ipcctvdns.com">www.ipcctvdns.com</a>	<b>Minimum illumination</b>	Color: 0.0002 Lux
<b>Security</b>	Channel based user password protection for live-cast, PTZ, alarm output and audio	<b>Power</b>	Power Supply - SMPS 12V (300mA) [AC100~240V, 50/60Hz] Power Consumption - DC12Volt, 1A
<b>Software (default Web interface)</b>	Live-cast, PTZ control, search through Web browser with audio (Minimum PC requirement - XP, Vista / IE 6.x or later/Pentium III 500MHz or above or equivalent AMD / 64MByte RAM or above / CDROM)	<b>Dimension / Weight</b>	Dome : ø115mm (Vandal Proof Design) Housing: ø165 x 101.5(H)mm About 2.4Kg(5.29 lbs) without Power Supply

## Accessory



**FW02-PMA**



**FC02-PMA**



**FP02-PMA**



**FCO02-PMA**



**FA01-PMA**



**FR01-PMA**

\*Wall Mount and Ceiling Mount bracket is not included when you purchase FW-1178PE.



**Flex WATCH®** is the property of Seyeon Tech Co., Ltd. All rights reserved.  
Specifications, components and options listed are subject to change without notice.

[www.flexwatch.com](http://www.flexwatch.com)